



크레인

- Crane(크레인)
- Crane Attachments(크레인 어태치먼트)
- Crane Components(크레인 컴퍼넌츠)

KOREA GORBEL CRANE은 산업용 CRANE 전문 제작회사로 보다높은 제품의 안정성과 편리성을 추구하여 공장의 생산성 향상과 원가절감에 보탬이 되고자 노력하는 기업입니다.

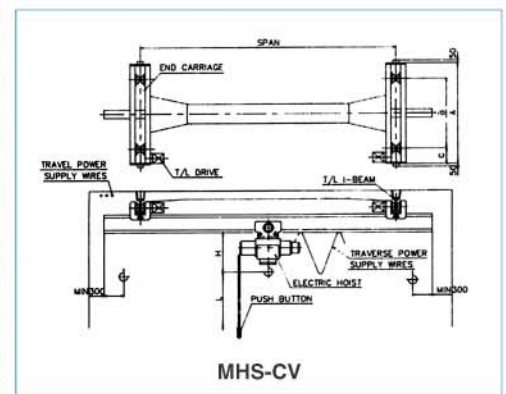
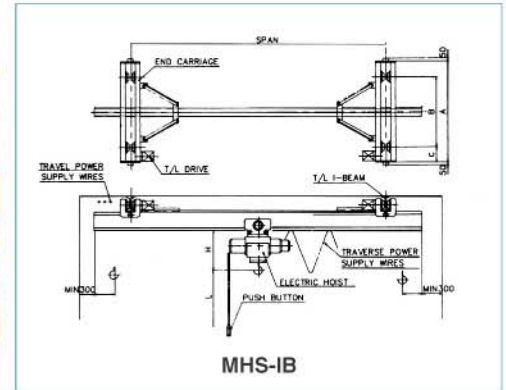
KOREA GORBEL CRANE pursue an safety, convenience of product and expert manufacture of industry crane. Then persevere in one' s efforts for help to high productivity and low cost of factory.



CONTENTS

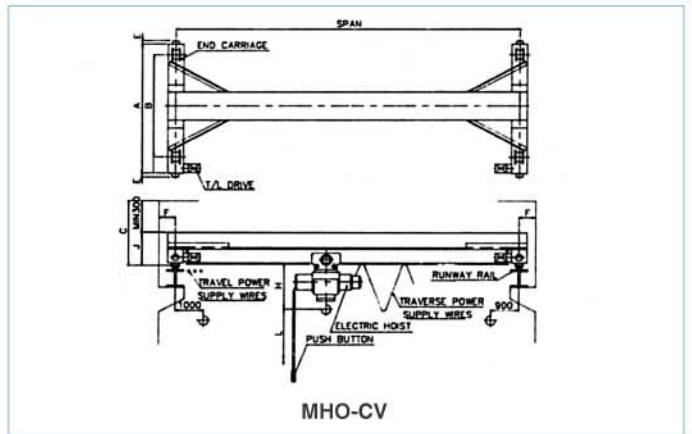
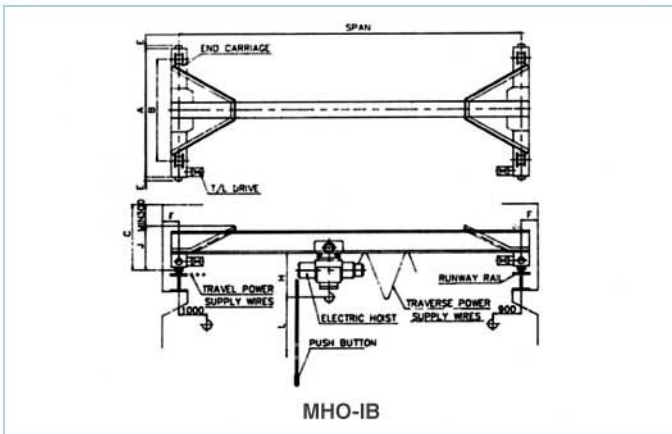
- 03 Monorail Hoist Suspension Crane
- 04 Monorail Hoist Overhead Crane
- 05 Doublerail Hoist Overhead Crane
- 06 Doublerail Openwinch Overhead Crane
- 07 Monorail Hoist Gantry Crane
- 08 Doublerail Hoist Gantry Crane
- 09 Jib Crane
- 10 Crane Attachments
- 11 Crane Components

Monorail Hoist Suspension Crane



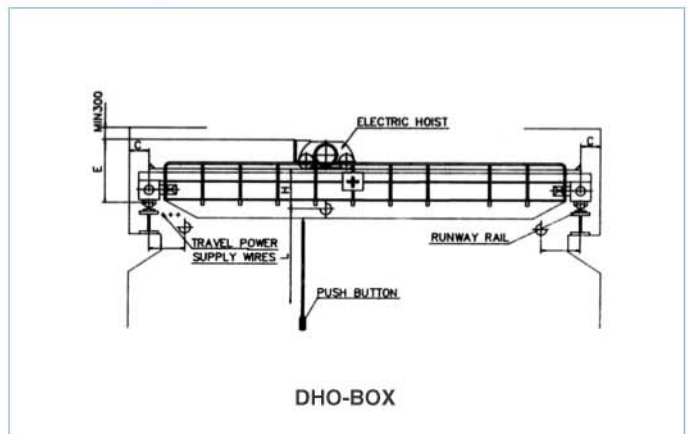
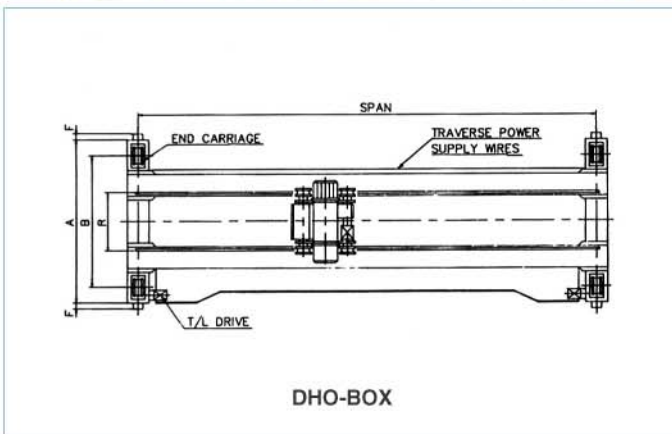
Model	Capacity (ton)	Max. Span (m)	Lift L (m)	Speed(m/min) / Motor(kw)			Approx. Dimensions (mm)				Travelling Wheel (mm ϕ)	Runway Rail
				Hoisting	Traversing	Travelling	H	A	B	C		
MHS-00	0.5	7.5	6 or 12	16/0.55 or 12/1.1	16/0.2 or 24/0.4	22/0.75 or 15/0.5	705	1650	1250	280	125	I-BEAM 200 × 100 × 7t 250 × 125 × 7.5t 300 × 150 × 10t
		9						1900	1500			
		12						2400	2000			
		15						2900	2500			
		18						3400	3000			
MHS-01	1	7.5	6 or 12	6/1.1 or 12/2.2	16/0.2 or 24/0.4	22/0.75 or 15/0.5	815	1650	1250	280	125	I-BEAM 200 × 100 × 7t 250 × 125 × 7.5t 300 × 150 × 10t
		9						1900	1500			
		12						2400	2000			
		15						2900	2500			
		18						3400	3000			
MHS-02	2	7.5	6 or 12	5/1.8 or 10/3.7	16/0.5 or 24/0.75	22/0.75 or 15/0.5	980	1650	1250	280	125	I-BEAM 200 × 100 × 7t 250 × 125 × 7.5t 300 × 150 × 10t
		9						1900	1500			
		12						2400	2000			
		15						2900	2500			
		18						3400	3000			
MHS-03	3	7.5	6 or 12	4.5/2.5 or 9/5.5	16/0.5 or 24/0.75	22/0.75 or 15/0.5	1115	1650	1250	280	125	I-BEAM 200 × 100 × 7t 250 × 125 × 7.5t
		9						1900	1500			
		12						2400	2000			
MHS-05	5	7.5 or 9	6 or 12	4.2/4.2 or 5.6/5.6	16/0.5 or 24/0.75	22/0.75 or 15/0.5	1325	2000	1500	350	160	300 × 150 × 10t

Monorail Hoist Overhead Crane



Model no.	Capacity (ton)	Max. Span (m)	Lift L (m)	Speed(m/min) / Motor(kw)			Approx. Dimensions (mm)							Travelling Wheel (mm ϕ)	Runway Rail (kg/m)
				Hoisting	Traversing	Traveling	H	A	B	C	E	F	J		
MHO-00	0.5	9	6 or 12	6/0.55 or 12/1.1	16/0.2 or 24/0.4	24/0.75 × 2 or 16/0.5 × 2	705	1940	1500	1100	60	250	650	160	15
		2440						2000	1300						
		2940						2500							
		3440						3000							
		3940						3500							
MHO-01	1	9	6 or 12	6/1.1 or 12/2.2	16/0.2 or 24/0.4	24/0.75 × 2 or 16/0.5 × 2	815	1940	1500	1100	60	250	650	160	15
		2440						2000	1300						
		2940						2500							
		3440						3000							
		3940						3500							
MHO-02	2	9	6 or 12	5/1.8 or 10/3.7	16/0.5 or 24/0.75	24/0.75 × 2 or 16/0.5 × 2	980	1940	1500	1200	60	250	700	160	15
		2440						2000	1300						
		2940						2500							
		3440						3000							
		3940						3500							
MHO-03	3	9	6 or 12	4.5/2.5 or 9/5.5	16/0.5 or 24/0.75	24/0.75 × 2 or 16/0.5 × 2	1115	1940	1500	1100	60	250	650	160	22
		2440						2000	1200						
		2940						2500							
		3440						3000							
MHO-05	5	9	6 or 12	4.2/4.2 or 5.6/5.6	16/0.5 or 24/0.75	24/0.75 × 2 or 16/0.5 × 2	1325	1940	1500	1100	60	250	800	200	22
		2500						2000	1300						
		3000						2500							
MHO-10	10	9	6 or 12	3/6 or 4.5/9	16/0.5 or 24/0.75	20/1 or 30/1.5	1520	2100	1500	1200	60	250	900	315	30
		2600						2000	1400						
		3100						2500		1500					

Doublerail Hoist Overhead Crane



Model no.	Capacity (ton)	Ma. Span (m)	Lift L (m)	Speed(m/min) / Motor(kw)			Approx. Dimensions(mm)							Travelling Wheel (mm ^Ø)	Runway Rail (kg/m)
				Hoisting	Traversing	Traveling	H	A	B	C	E	F	R		
DHO-03	3	11	12	4.5/2.5 or 9/5.5	16/0.5 or 24/0.75	16/0.5 or 24/0.75	2440	2000	250	1200	60	950	160	15	
		20/1 or 30/1.5				3000	2500	200							
		20/1 or 30/1.5				3550	3000	250							
		20/1 or 30/1.5				4050	3500	250							
		20/1 or 30/1.5				4550	4000	250							
DHO-05	5	15	12	4.2/4.2 or 5.6/5.6	16/0.5 or 24/0.75	20/1 or 30/1.5	3050	2500	350	1700	100	1150	250	22	
		20/1.5 or 30/2.2				3550	3000	315							
		20/1.5 or 30/1.5				4050	3500	400							
		20/1.5 or 30/1.5				4600	4000	400							
		20/1.5 or 30/1.5				5100	4500	400							
DHO-10	10	14.5	12	3/6 or 4.5/9	10/0.5 or 15/0.75	20/1.5 or 30/1.5	3100	2500	350	1900	100	1200	315	22	
		20/1.5 or 30/1.5				3600	3000	315							
		20/1.5 or 30/1.5				4350	3500	400							
		20/1.5 or 30/1.5				4850	4000	400							
		20/1.5 or 30/1.5				5350	4500	400							
DHO-15	15	18	12	3/8.5 or 4.5/13	10/1 or 15/1.5	20/1.5 or 30x2.2	3850	3000	400	2300	100	1200	400	30	
		20/1.5 or 30x2.2				4350	3500	500							
		20/1.5 or 30x2.2				4850	4000	630							
		20/1.5 or 30x2.2				5450	4500	630							
		20/1.5 or 30x2.2				6100	5000	630							
DHO-20	20	15	12	2.8/11.5 or 4.2/17	10/1 or 15/1.5	20/1.5 or 30x2.2	3850	3000	400	2300	100	1300	400	37	
		20/1.5 or 30x2.2				4450	3500	500							
		20/1.5 or 30x2.2				4950	4000	500							
		20/1.5 or 30x2.2				5450	4500	500							
		20/1.5 or 30x2.2				6100	5000	500							
DHO-30	30	9.5	12	1.8/11.5 or 2.8/17	10/1 or 15/1.5x2	20/2.2 or 30/3.7	4450	3500	400	2300	100	1800	630		
		20/2.2 or 30/3.7				5100	4000	630							

Doublerail Openwinch Overhead Crane

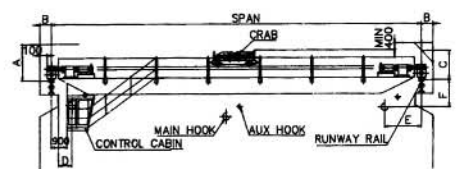
Table.1

Type	Capacity(ton)		Span (m)	Lift (m)	Main Hoist	Auxiliary Hoist	Traversing Hoist	Travelling Hoist	Runway Rail (Minimum) (kg/m)
	Main Hoist	Auxiliary Hoist			Speed * Motor (m/min)(kw)	Speed * Motor (m/min)(kw)	Speed * Motor (m/min)(kw)	Speed * Motor (m/min)(kw)	
Medium Speed type	3	-	6-14 15-24	12.5	13×11	-	40×2.2	110×7.5 90×7.5	15
	5	-	6-14 15-24	12.5	12×15	-	40×2.2	110×11 90×11	22
	7.5	-	8-14 15-24	12.5	10×22	-	40×3.7	110×15 90×15	22
	10	-	8-14 15-24	12.5	8×22	-	40×3.7	110×15 90×15	30
	15	Nil or 3	8-14 15-24	10 or 15	8×30	13×11	40×5.5	100×15 80×15	30
	20	Nil or 5	10-16 17-26	10 or 15	6×30	12×15	35×5.5	100×22 80×22	30
	25	5	10-16 17-26	10 or 15	6×37	12×15	35×7.5	100×30 80×30	37
	30	5	10-16 17-26	10 or 15	5×37	12×15	35×7.5	100×30 80×30	37
	40	10	10-16 17-26	10 or 15	5×50	8×22	35×11	100×37 80×37	37
	50	10	12-18 19-26	10 or 15	4×50	8×22	30×11	90×37 70×37	37
	60	10	12-26	10 or 15	3.2×50	8×22	25×11	65×37	37
	80	20	12-26	10 or 15	2.4×50	6×30	25×15	60×50	74
100	20	12-26	10 or 15	2.3×60	6×30	20×15	55×60	74	

Table.2

Type	Capacity(ton)		Span (m)	Construction Gauge(mm)			Limit of main hook traverse nearest to the center of runway rails limit of lift of hook below the top of runway rail(mm)			End Carriage Reference(mm)			Total Number of Wheels (Reference)
	Main Hoist	Auxiliary Hoist		Vertical distance from the top of rail to the ceiling (A)	Distance from the center of rail to side rail (B)	Vertical distance from the top of rail to the construction gauge at the center of rail (C)	Left hand side (cabin side) (D)	Right hand side (E)	Lift of hook below the top of rail (F)	Length (Q)	Wheel Base (R) (S)		
Medium Speed type	3	-	6-14 15-24	2400 2500	350	1200 1300	1000	1000	200	4050	3250	-	4
	5	-	6-14 15-24	2400 2500	350	1300 1400	1100	1100	300	4400	3500	-	4
	7.5	-	8-14 15-24	2400 2500	350	1450 1550	1200	1200	400	4400 4900	3500 4000	-	4
	10	-	8-14 15-24	2500 2600	350	1500 1600	1300	1300	500	4900 5400	4000 4500	-	4
	15	Nil or 3	8-14 15-24	2600 2700	370	1700 1800	1500	1500	700	6000	5000	-	4
	20	Nil or 5	10-16 17-26	2700 2800	400	1800 1900	1800	1800	800	6000	5000	-	4
	25	5	10-16 17-16	2800 2900	400	1900 2000	1900	2000	900	6350	5250	-	4
	30	5	10-16 17-26	2900 3000	400	2000 2100	2000	2100	1000	6700	5500	-	4
	40	10	10-16 17-26	3100 3200	400	2150 2250	2100	2200	1100	6700	5500	-	4
	50	10	12-18 19-26	3300 3400	400 380	2350 2450	2200	2300	1200	7200	6000	-	4(74kg/m rails) 8(37kg/m rails)
	60	10	12-26	3500	380	2600	2300	2400	1300	6000	5000	-	8
	80	20	12-26	3700	450	2800	2500	2600	1400	6500	5500	1200	8
100	30	12-26	3900	450	3000	2700	2800	1500	7200	6000	1300	8	

FIG.1



BASIC REQUIREMENTS OF CRANES

The basic requirements of the cranes shall be as follows:

- (1) The particulars of the cranes shall be indicated in Table 1.
- (2) The construction gauge for the travelling cranes and the side and upper clearances of the hook shall conform to Table 2 and Figs. 1 to 3.
- (3) The clearance between the crane gauge and the construction gauge, and the position of the main trolley wire shall conform to Fig. 1.

FIG.2

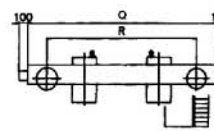
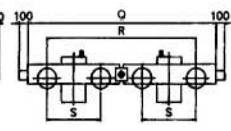


FIG.3

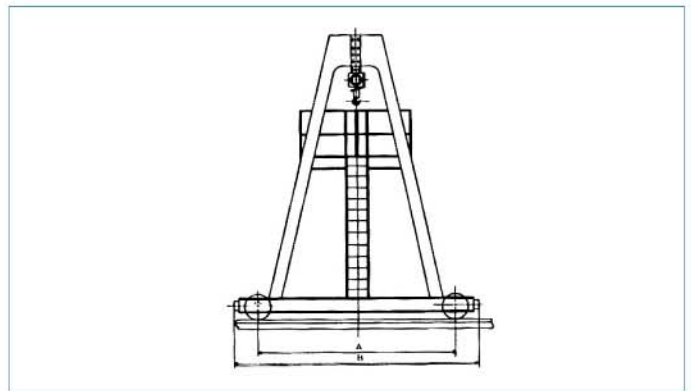
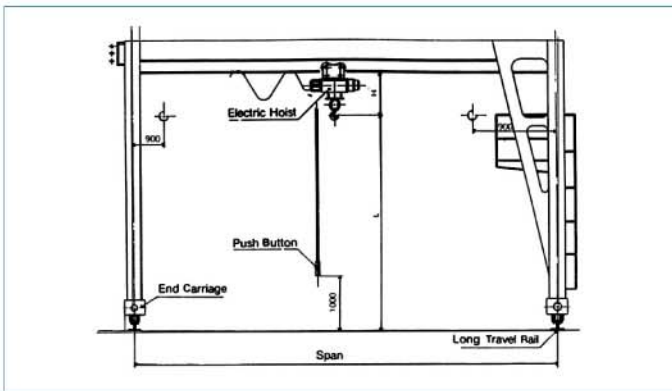
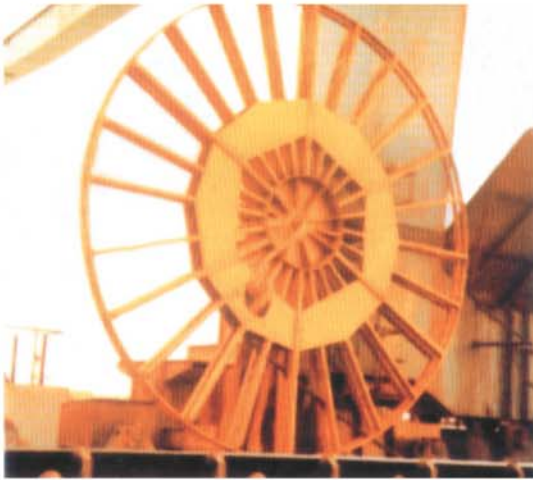


크레인의 기본요목

- (1) 크레인의 제원은 표 1에 의한다.
- (2) 주행레일에 대한 건축한계 및 후크 최소점근 및 새들치수 또는 차륜중수는 표 2 및 그림 1~그림 3에 의한다.
- (3) 크레인 한계와 건축한계의와의 틈 및 공급전원선 위치는 그림1과 같다.

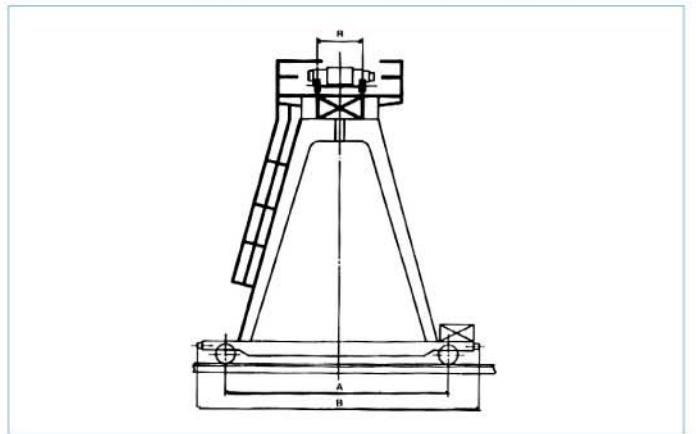
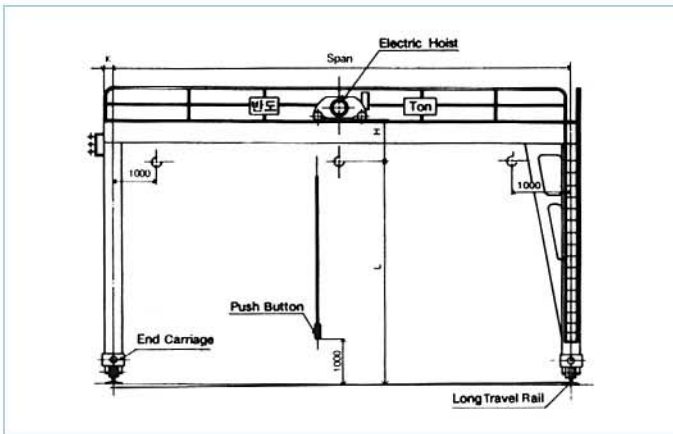


Monorail Hoist Gantry Crane



Model no.	Capacity (ton)	Max. Span (m)	Lift L (m)	Speed(m/min) / Motor(kw)			Approx. Dimensions (mm)			Travelling Wheel (mm ϕ)	Runway Rail (kg/m)
				Hoisting	Traversing	Travelling	H	A	B		
MHG-00	1	7.5		6/1.1 or 12/2.2	16/0.2 or 24/0.4	25/0.75 or 16/0.5	815	3500 ~ 5000	4000 ~ 5500	200	15, 22
		9									
		12									
		15									
		18									
MHG-02	2	7.5	6 or 12	5/1.8 or 10/3.7	16/0.5 or 24/0.75	30/1.5 or 20/1	980	3500 ~4050	4000 ~4550	250	22, 30
		9									
		12									
		15									
		17.5									
MHG-03	3	7.5		4.5/2.5 or 9/5.5	16/0.5 or 24/0.75	25/0.75 or 16/0.5	1115	3500 ~5000	4000 ~5500	200	22, 30
		9									
		12									
MHG-05	5	9		4.2/4.2 or 5.6/5.6	16/0.5 or 24/0.75	30/1.5 or 20/1	1325	3500 ~4050	4000 ~4550	250	30, 37
		12									
MHG-10	10	9		3/6 or 4.5/9	16/0.5 or 24/0.75	30/1.5 or 20/1	1520	4000 ~5000	4600 ~5600	315	30, 37
		12									
		15									

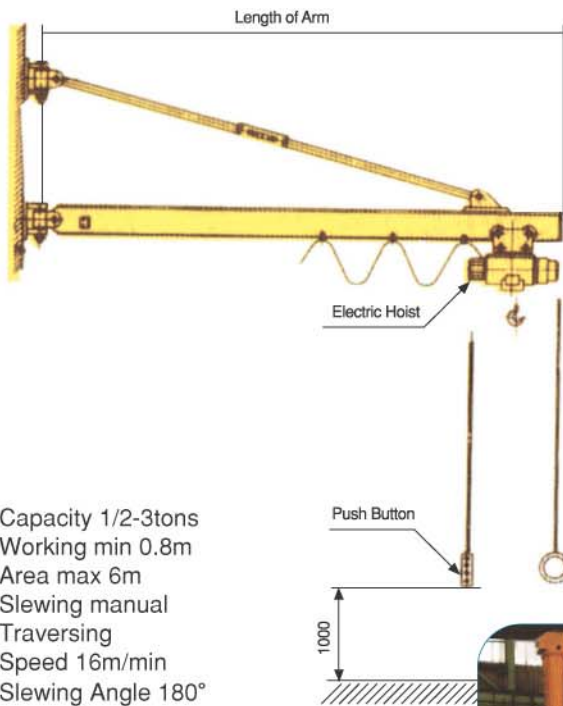
Doublerrail Hoist Gantry Crane



Model no.	Capacity (ton)	Ma. Span (m)	Lift L (m)	Speed(m/min) / Motor(kw)			Approx. Dimensions (mm)				Travelling Wheel (mm [∅])	Runway Rail (kg/m)
				Hoisting	Traversing	Travelling	H	R	A	B		
DHG-03	3	15 17.5 20	12	4.5/2.5 or 9/5.5	16/0.5 or 24/0.75		420	950	4000 ~5000	4500 5500	250	22 30
DHG-05	5	10 12.5 15 17.5 20		4.2/4.2 or 5.6/5.6	20/1 or 30/1.5		510	1150	4000 ~5000	4600 5600	315	
DHG-10	10	10 12.5 15 17.5 20		3/6 or 4.5/9								
DHG-15	15	10 12.5 15 17.5 20		3/8.5 or 4.5/13	10/1 or 15/1.5	20/1.5 or 30/2.2	995	1200	4000 ~6000	4950 6950	500 630	30 37
DHG-20	20	10 12.5 15 17.5 20		2.8/11.5 or 4.2/17	10/1 × 2 or 15/1.5 × 2	20/2.2 or 30/3.7	1175	1300	4000 ~6000	5100 ~7100	630 710	
DHG-30	30	10 12.5 15 17.5 20		1.8/11.5 or 2.8/17			1480	1800	4000 ~6000	5200 ~7200	800	

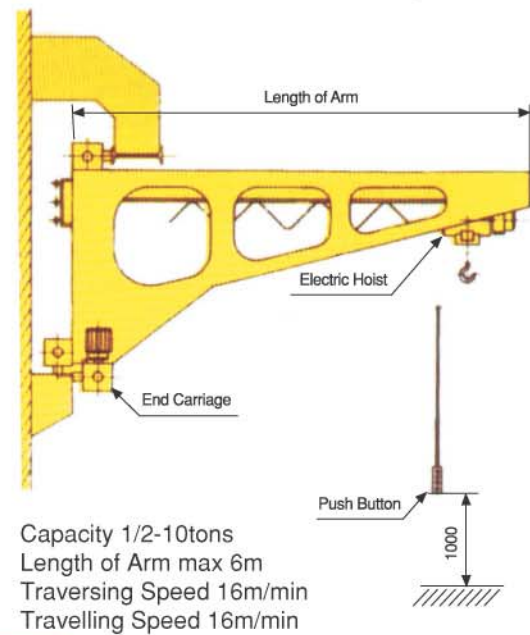
Jib Crane

Wall Jib Crane



Capacity 1/2-3tons
Working min 0.8m
Area max 6m
Slewing manual
Traversing
Speed 16m/min
Slewing Angle 180°

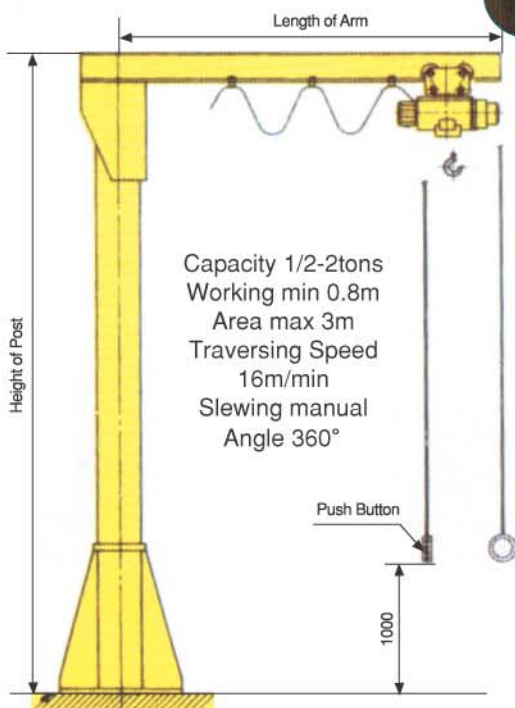
Wall Travelling Jib Crane



Capacity 1/2-10tons
Length of Arm max 6m
Traversing Speed 16m/min
Travelling Speed 16m/min

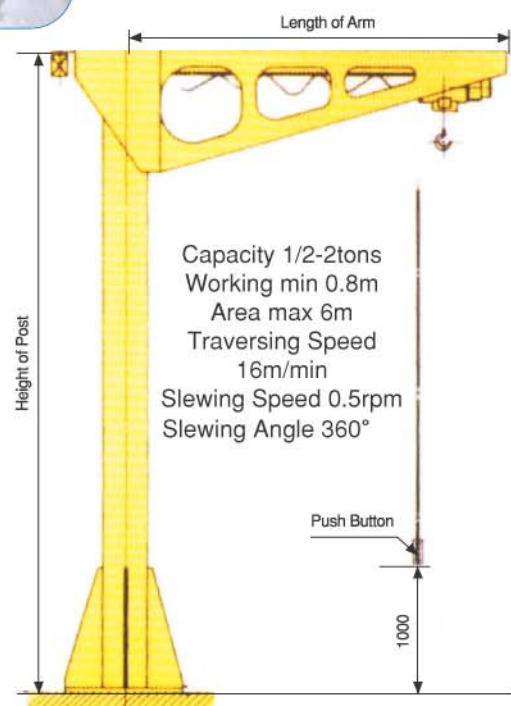


Column Jib Crane A



Capacity 1/2-2tons
Working min 0.8m
Area max 3m
Traversing Speed 16m/min
Slewing manual
Angle 360°

Column Jib Crane B



Capacity 1/2-2tons
Working min 0.8m
Area max 6m
Traversing Speed 16m/min
Slewing Speed 0.5rpm
Slewing Angle 360°

Crane Attachments

그라브 바켓 (grab bucket)



광산, 항만, 제철소 등에서 석탄, 자갈, 모래, 곡물, 고철 등을 리프팅하는 장치

리프팅 마그네트 (lifting magnet)



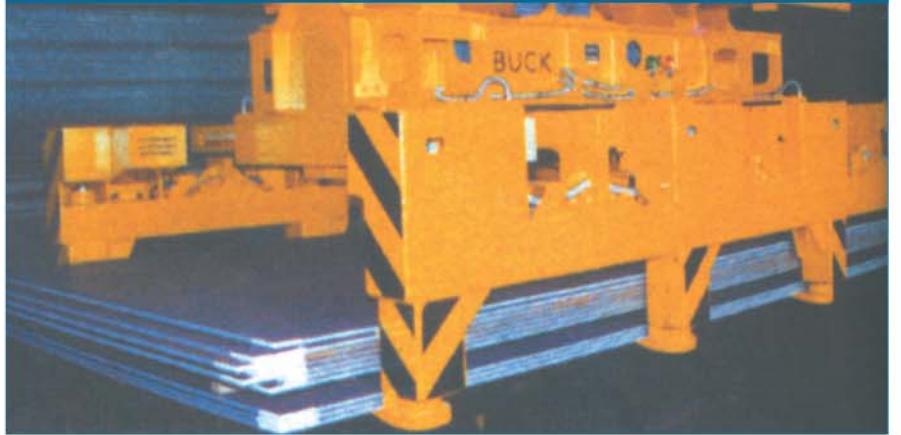
제철소의 슬라브, 철판, 철근, 봉강, 형강을 들어올리는 자기 장치

슬라브통 (slab tongs)



압연공장 슬라브를 리프팅하는 장치

시트 리프터 (sheet lifter)



압연공장 열연 냉연 시트를 리프팅하는 장치

코일 리프터 (coil lifter)



압연공장의 열연 냉연 코일을 리프팅하는 장치

오픈윈치호이스트 (open winch hoist)

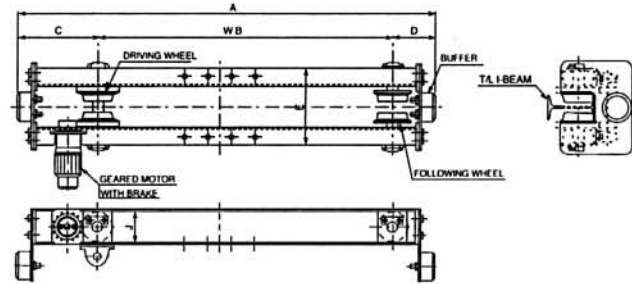


시중의 HOIST 문제점을 해결하고 저렴한 비용으로 고빈도의 장소에 설치한 100Ton 특수 HOIST

Crane Components

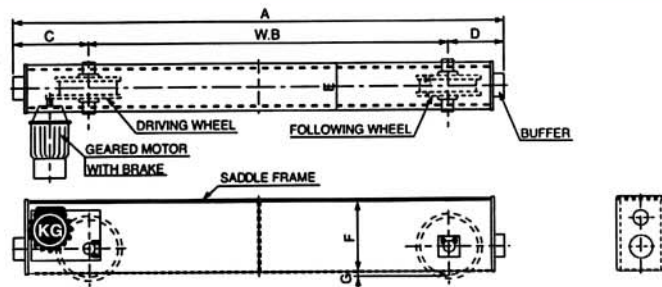
End Carriage

Suspension type



Wheel Dia.(D)	Travelling speed(m/min)			Motor(kw × P)	A	W.B	C	D	E	J	Travelling I-beam(mm)
ø125	High	50(Hz)	18	0.75 × 4	1520	1000	340	180	320	150	1-200 × 100 × 7t
		60(Hz)	22		1770				345		1-250 × 125 × 7.5t
	Low	50(Hz)	13	0.5 × 6	2020	1500			370		1-300 × 150 × 10t
		60(Hz)	16		2270				370		1-400 × 150 × 10t
ø160	High	50(Hz)	18	0.75 × 4	1620	1000	410	200	361	200	1-250 × 125 × 7.5t
		60(Hz)	22		1870				386		1-300 × 150 × 10t
	Low	50(Hz)	13	0.5 × 6	2120	1500			386		1-400 × 150 × 10t
		60(Hz)	16		2370				411		1-450 × 175 × 13t
ø180	High	50(Hz)	20	1.5 × 4	1620	1000	410	250	395	250	1-250 × 125 × 7.5t
		60(Hz)	23		1870				420		1-300 × 150 × 10t
	Low	50(Hz)	13	1.0 × 6	2120	1500			420		1-400 × 150 × 10t
		60(Hz)	15		2370				445		1-450 × 175 × 13t

Overhead type



Wheel Dia.(D)	Travelling speed(m/min)			Motor(kw × P)	A	W.B	C	D	E	F	G
ø160	High	50(Hz)	20	0.75 × 4	2060	1500	360	200	210	240	20
		60(Hz)	24		2560						
	Low	50(Hz)	13	0.5 × 6	3060	2500					
60(Hz)		16	3560		3000						
ø200	High	50(Hz)	20	0.75 × 4	2120	1500	360	260	210	300	20
		60(Hz)	24		2620						
	Low	50(Hz)	13	0.5 × 6	3120	2500					
60(Hz)		16	3620		3000						
ø250	High	50(Hz)	25	1.5 × 4	2170	1500	390	280	210	350	20
		60(Hz)	30		2670						
	Low	50(Hz)	17	1.0 × 6	3170	2500					
60(Hz)		20	3670		3000						
ø315	High	50(Hz)	25	1.5 × 4	2220	1500	410	310	260	400	20
		60(Hz)	30		2720						
	Low	50(Hz)	17	1.0 × 6	3220	2500					
60(Hz)		20	3720		3000						

www.korea-gorbel.com



본사 / 공장 : 인천광역시 서구 가좌동 482-1 / Tel: 032-583-6671 / Fax: 032-583-6455, 6454, 6674

김 포 공 장 : 경기도 김포시 양촌면 학운리 448-187 / Tel: 031-988-6411 ~ 4 / Fax: 031-988-6415

포항사무소 : 경북 포항시 남구 해도2동 172-18 그랜드 오피스텔 207호 / Tel: 054-283-2941 / Fax: 054-283-2942

광주사무소 : 광주광역시 광산구 도덕동 311 / Tel: 062-943-8430 / Fax: 062-943-9849

판 매 원 : 반도중공주식회사

※제품의 품질개선을 위하여 사양은 사전 예고없이 변경될 수 있습니다.

※ Specifications are subject to change without notice